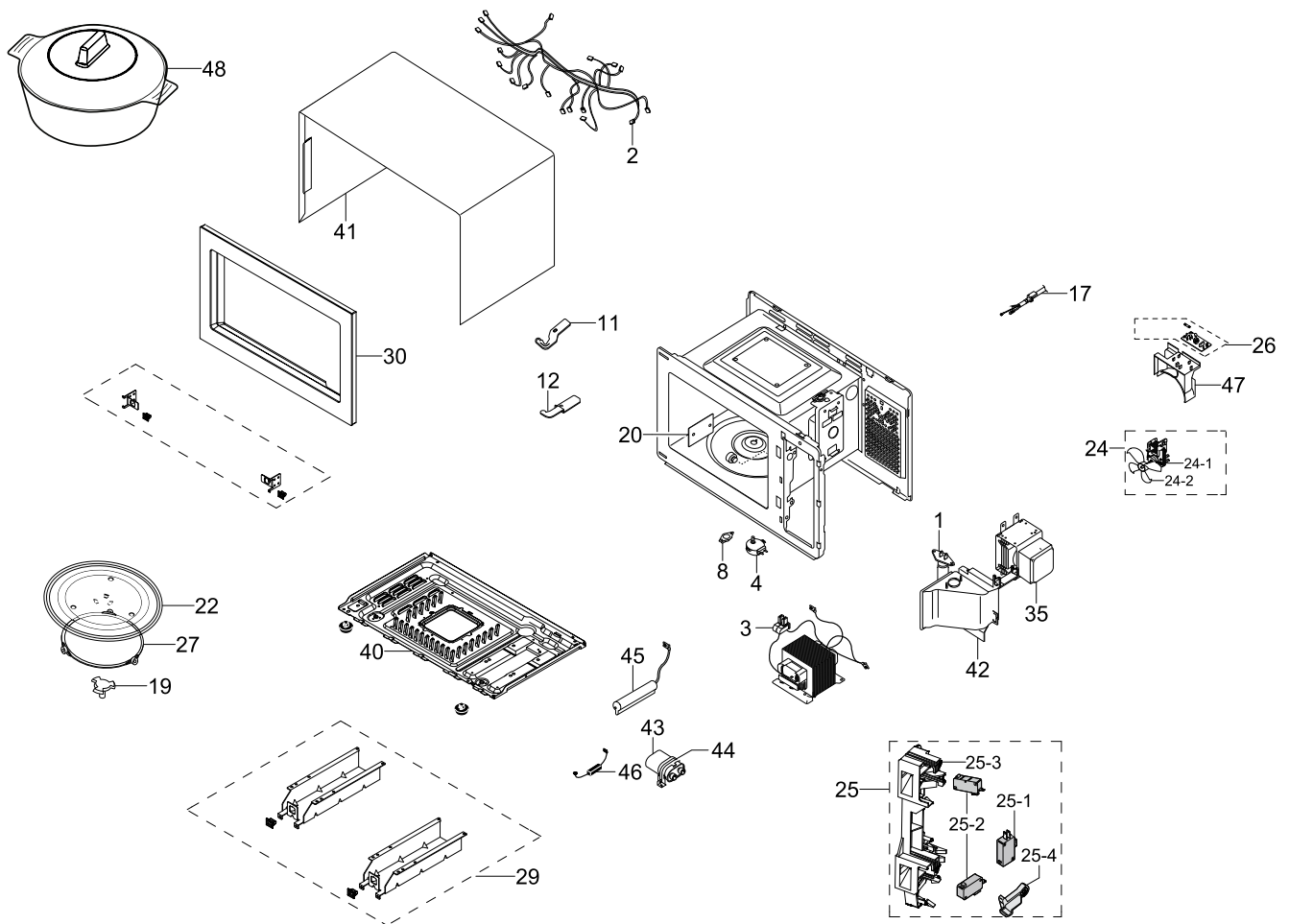


# 1. Main

## Exploded View



## Parts List

No.	Parent	Lvl.	Loc.	Material Code	Description & Specification	SNA	Qty.
1	DE96-00901A	2	M036	4713-001524	LAMP-INCANDESCENT; 230V,20W	SA	1
2	FW87SST/XEF	1	W001	DE96-00823A	ASSY WIRE HARNESS; MW73B,220V50HZ,ECO PJT	SA	1
3	DE96-00902A	2	M038	DE26-00160A	TRANS H.V; SHV-EPT06A,230V,50Hz,2280V/3.4	SA	1
4	DE96-00901A	2	M049	DE31-10154D	MOTOR SYNCHRONOUS; SSM-16H,CMO,FREE,5/6 R	SA	1
8	DE96-00901A	2	M440	DE47-20008A	THERMOSTAT; -,NT-101,250V 10A/125V 15A,-,	SA	1
11	DE94-02605B	2		DE61-01384A	HINGE-DOOR (U); HINGE DOOR (U),CR-SCP1,T2	SA	1
12	DE94-02605B	2		DE61-01385A	HINGE-DOOR (L); HINGE DOOR (L),CR-SCP1,T2	SA	1
17	FW87SST/XEF	1	M015	DE96-00385D	ASSY POWER CORD; CEE,Straight,250V/6A,H05	SA	1

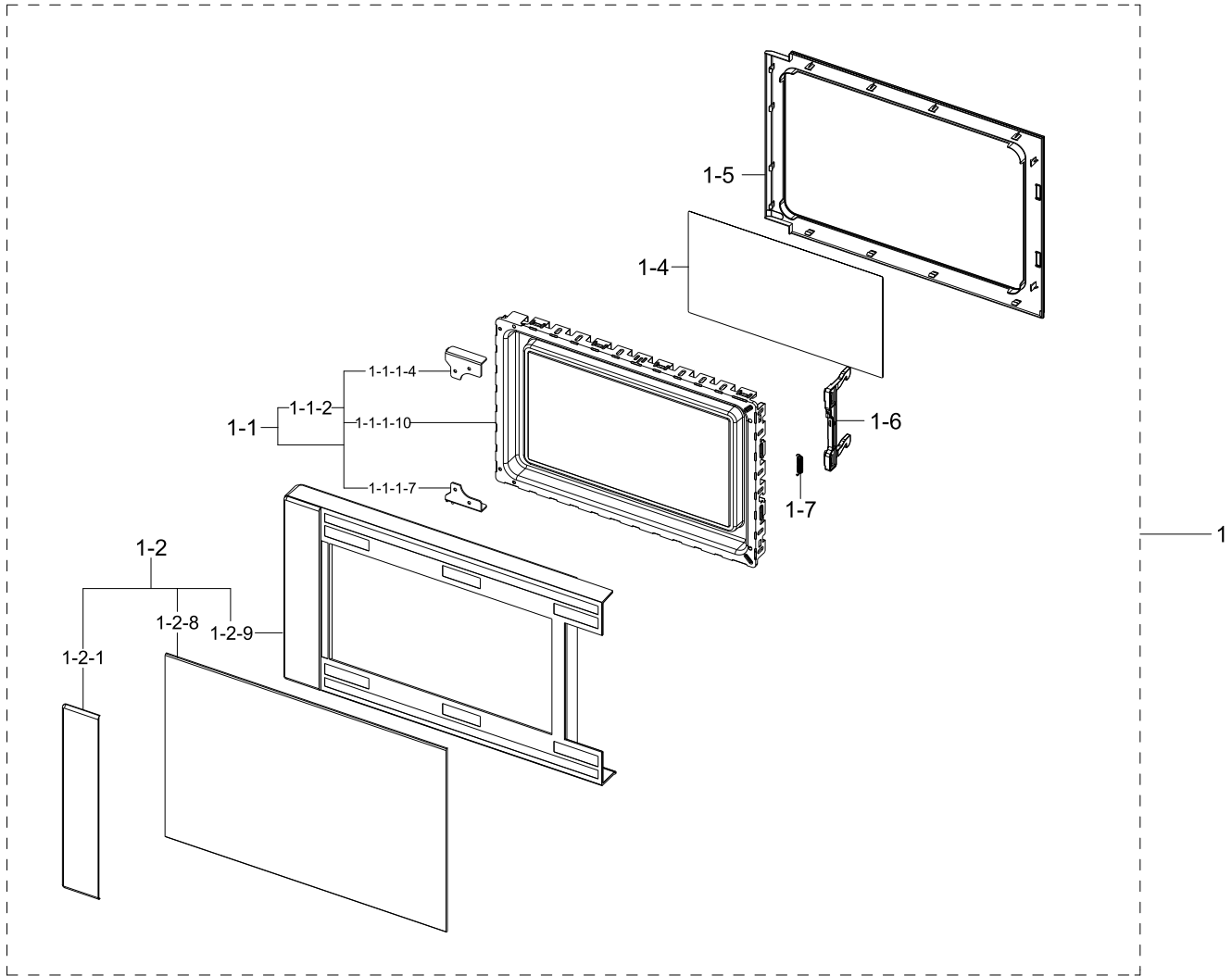
Exploded Views and Parts List

No.	Parent	Lvl.	Loc.	Material Code	Description & Specification	SNA	Qty.
19	DE94-02605B	2	M034	DE67-00258A	COUPLER; 0.7ECO PLATFORM,PPS,BROWN	SA	1
20	DE94-02605B	2	M051	DE63-00642C	COVER-MGT; 0.7ECO PLATFORM,PP,flamable V-	SNA	1
22	DE94-02605B	2	T001	DE74-20102D	TRAY-COOKING; G643C-1(3RD-0.6),GLASS,T6,-	SA	1
24	DE96-00901A	2	M020	DE96-00848A	ASSY MOTOR FAN; MW73BR,SMF-E73A,230V 50Hz	SA	1
24-1	DE96-00848A	3	M023	DE31-10184J	MOTOR FAN; SMF-E73A,230V/50Hz,2450rpm,9T	SA	1
24-2	DE96-00848A	3	H018	DE31-00063A	BLADE-FAN; 0.7ECO PLATFORM,PP,GREY	SA	1
25	FW87SST/XEF	1	B022	DE94-02265A	ASSY BODY LATCH; MW73BR,ECO PLATFORM	SA	1
25-1	DE94-02265A	2	B046	3405-001032	SWITCH-MICRO; 125/250VAC,16A,200GF,SPDT	SC	1
25-2	DE94-02265A	2	B048	3405-001034	SWITCH-MICRO; 125/250VAC,16A,200gf,SPST-N	SA	2
25-3	DE94-02265A	2	B076	DE66-00225A	LATCH-BODY(BUTTON); 0.7ECO PLATFORM,PP,WH	SA	1
25-4	DE94-02265A	2	L0001	DE66-00088A	LEVER-SWITCH; NC2000(0.6/0.8/1.2),PP,-,-,	SC	1
26	DE96-00901A	2	M017	DE96-00822A	ASSY NOISE FILTER; MW73,SN-ESMA,250V 10A,	SA	1
27	DE94-02605B	2	F535	DE94-02266B	ASSY GUIDE ROLLER; 0.7 GAIA,SPS,TEFRON	SA	1
29	DE94-02632A	3	P076	DE61-01386A	BRACKET-BASE; BRACKET BASE,GI-SGCC	SA	1
30	FW87SST/XEF	1	M166	DE94-02598A	ASSY TRIM KIT; FG88SUST,TRANSFORMER	SNA	1
35	DE96-00902A	2	M035	OM75S(31)ESGN	ASSY-MGT; ASSY-MGT		1
40	DE94-02605B	2	M048	DE61-01262C	BASE-PLATE; FG88SUST,GI-SGCC,T0.5,TRANSFO	SA	1
41	FW87SST/XEF	1	M001	DE64-02356D	PANEL-OUTER; GS89-S,EGI-SECC,T0.4,488.8,B	SA	1
42	DE94-02605B	2	M037	DE63-00651A	COVER-AIR; 0.7ECO PLATFORM,GI-SGCC,T0.4	SA	1
43	DE96-00902A	2	M039	2501-001016	C-OIL; 950nF,2100V,BK,35x54x80mm,20mm	SA	1
44	DE94-02605B	2	M040	DE61-01263A	BRACKET-HVC; 0.7ECO PLATFORM,GI-SGCC,T0.6	SA	1
45	DE96-00902A	2	M042	DE96-00831A	ASSY H.V.FUSE; MW74,THV060T-0650-SC,5KV/0	SA	1
46	DE96-00902A	2	M527	DE59-00002A	DIODE-H.V; MWO ALL,2CL4512H,-,450mA 13KV,	SC	1

No.	Parent	Lvl.	Loc.	Material Code	Description & Specification	SNA	Qty.
47	DE94-02605B	2	M022	DE63-00641A	COVER-BLOWER; 0.7ECO PLATFORM,PP,WHITE	SA	1
48	DE94-02605B	2	T023	DE94-01769B	ASSY-STEAM BOWL; STEEL HEART,PP,-	SA	1

# 1.1. Assy Door

## Exploded View



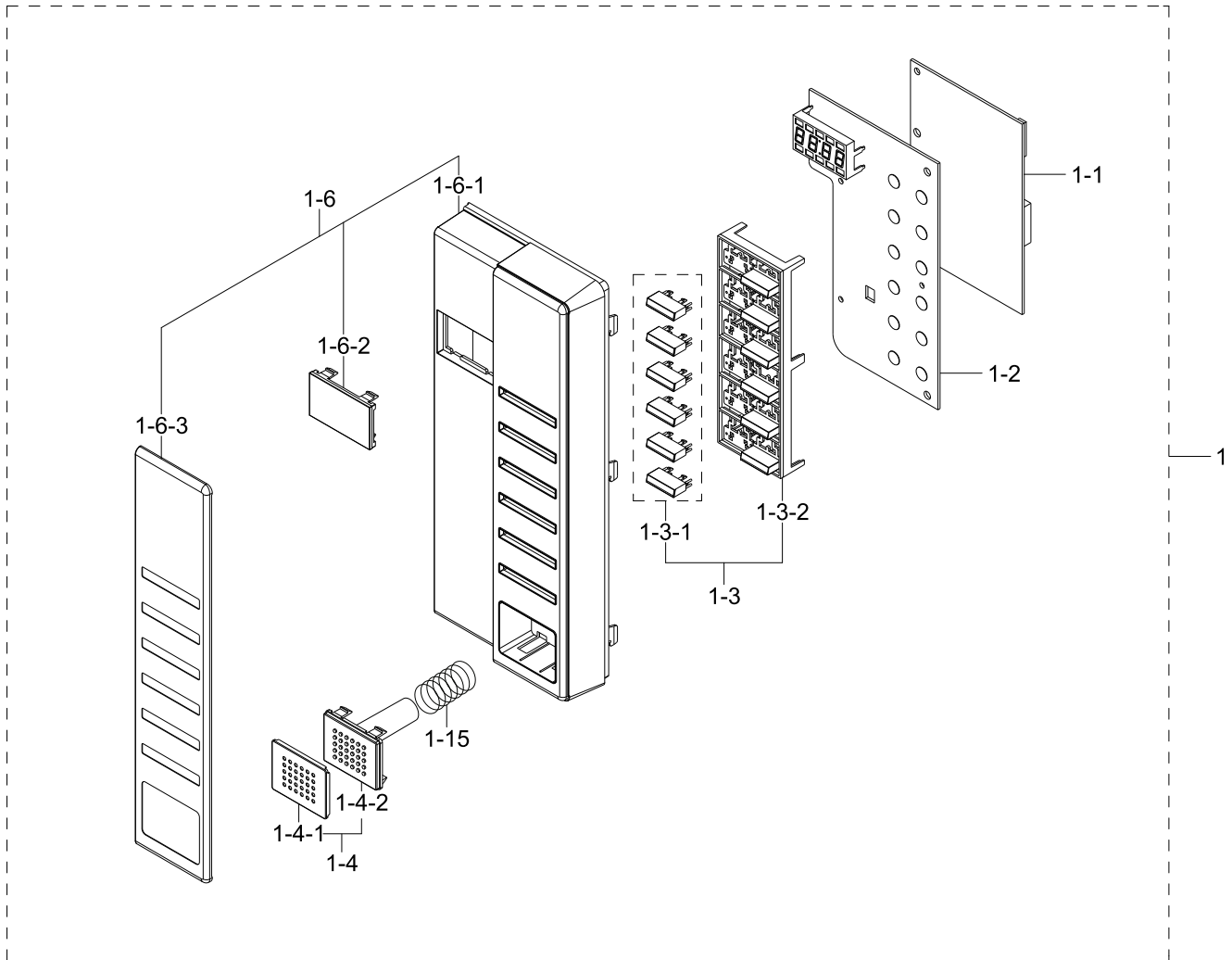
## Parts List

No.	Parent	Lvl.	Loc.	Material Code	Description & Specification	SNA	Qty.
1	FW87SST/XEF	1	D049	DE94-02667B	ASSY DOOR; FW87SST/XEF,ABS,SILVER SPRAY,T	SNA	1
1-1	DE94-02667B	2	D211	DE94-02344B	ASSY DOOR E-COATING; MW73ER-1,SCP T0.4,WH	SA	1
1-1-1	DE94-02344A	4	Q116	DE61-01325A	BRACKET-DOOR HINGE(UPPER); CHIC PJT.,CR-S	SA	1
1-1-1	DE94-02344A	4	Q091	DE61-01326A	BRACKET-DOOR HINGE(LOWER); CHIC PJT.,CR-S	SA	1
1-1-1	DE94-02344A	4	D210	DE64-02433A	DOOR-E; MW73ER-1,CR-SCP2,T0.4,Gaia Eco	SA	1
1-1-2	DE94-02344B	3	D212	DE94-02344A	ASSY DOOR E; MW73ER-1,SCP T0.4,WHITE,ECO	SA	1

No.	Parent	Lvl.	Loc.	Material Code	Description & Specification	SNA	Qty.
1-2	DE94-02667B	2	D037	DE94-02666A	ASSY DOOR-A; MTBI(Transformer),ABS,NEO-ST	SA	1
1-2-1	DE94-02666A	3		DE64-02544A	INLAY-DOOR (I TYPE); INLAY DOOR (I TYPE),	SA	1
1-2-8	DE94-02666A	3		DE64-02547A	SCREEN-DOOR (I TYPE); SCREEN DOOR (I TYPE)	SA	1
1-2-9	DE94-02666A	3		DE64-02541A	DOOR-A (I TYPE); FG87SST/XEF,ABS,NEO SILV	SA	1
1-4	DE94-02667B	2	D005	DE64-00221B	FILM-DOOR; -,PET,T0.13,W264*L143,-,NC	SA	1
1-5	DE94-02667B	2	D006	DE64-02436A	DOOR-C; MW73E,PP,BLACK,ECO GAIA PJT.	SA	1
1-6	DE94-02667B	2	D011	DE64-02355A	KEY-DOOR; 0.7ECO PLATFORM,POM,BLACK	SA	1
1-7	DE94-02667B	2	D007	DE61-00198A	SPRING-KEY; M1877,HSWR,PI0.7,D6,24 1/4,BL	SA	1

## 1.2. Assy Control

### Exploded View



### Parts List

No.	Parent	Lvl.	Loc.	Material Code	Description & Specification	SNA	Qty.
1	FW87SST/XEF	1	C082	DE94-02763B	ASSY CONTROL BOX; FW87SST/XEF,230V50HZ,SI	SNA	1
1-1	DE94-02763B	2	F316	DE92-02535A	ASSY PCB MAIN; RCS-TRFM-00,FW88SUST/XEO,L	SA	1
1-2	DE94-02763B	2	C084	DE96-00935D	ASSY KEY MODULE; FW88SST,DKM-TRFM-03,Solo	SA	1
1-3	DE94-02763B	2	C048	DE94-02630A	ASSY BUTTON SELECT; FG88SUST,NEO SILVER,t	SNA	1
1-3-1	DE94-02630A	3		DE64-02539A	BUTTON-SELECT A; FG88SUST,ABS,NEO SILVER,	SA	1
1-3-2	DE94-02630A	3		DE64-02540A	BUTTON-SELECT B; FG88SUST/XEO,ABS,NEO SIV	SA	1

No.	Parent	Lvl.	Loc.	Material Code	Description & Specification	SNA	Qty.
1-4	DE94-02763B	2	C206	DE94-02634A	ASSY BUTTON-PUSH; FG88SUST,NEO SILVER,TRA	SNA	1
1-4-1	DE94-02634A	3	C207	DE64-02545A	INLAY-BUTTON; INLAY BUTTON,STAINLESS-STSS4	SA	1
1-4-2	DE94-02634A	3		DE64-02537A	BUTTON-PUSH (STSS); FG88SUST,ABS,NEO SILV	SA	1
1-6	DE94-02763B	2		DE94-02606B	ASSY CONTROL PANEL-(STSS); FW88SUST,NEO S	SA	1
1-6-1	DE94-02606B	3		DE64-02533A	CONTROL-PANEL(STSS); FG88SUST/XEO,ABS,NEO	SNA	1
1-6-2	DE94-02606B	3	C009	DE64-02535A	WINDOW-DISPLAY; WINDOW DISPLAY,SAN,SAN	SA	1
1-6-3	DE94-02606B	3		DE64-02542B	INLAY PANEL; INLAY PANEL,STAINLESS-STSS430	SA	1
1-15	DE94-02763B	2	C006	DE61-70026A	SPRING-BUTTON; -,SWP,PI0.7,D17,-,L25.8,-,	SA	1